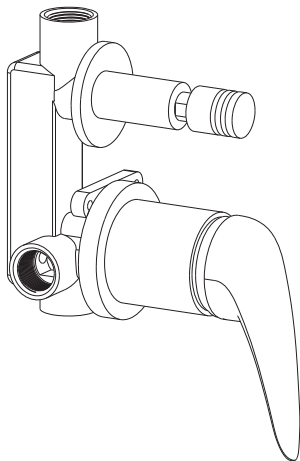


Installation Instruction

Stainless Steel Wall-fixed Bath Faucet Handle

Before Your Installation

Check to make sure you have the following parts indicated below:



Tools You Will Need



Adjustable wrench



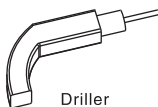
Pipe tape
(supplied)



Phillips screw driver



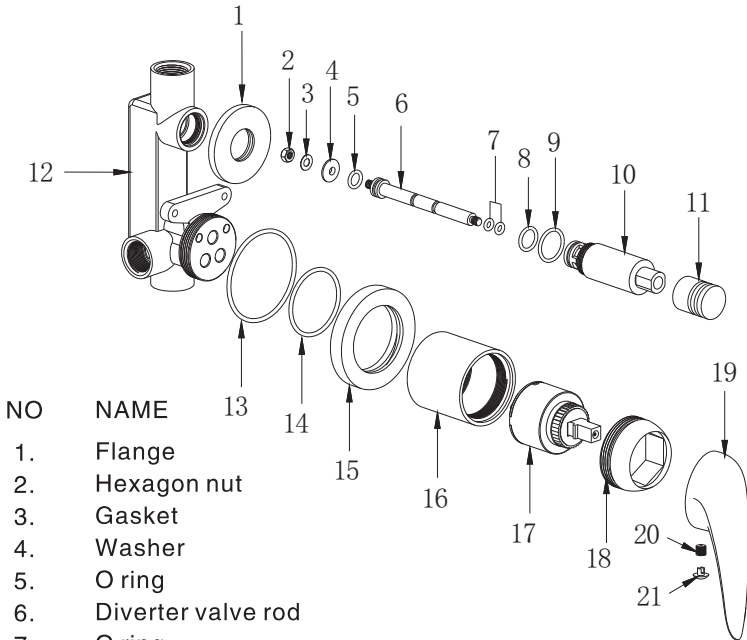
Hexagon wrench
(supplied)



Driller

Replacement Parts

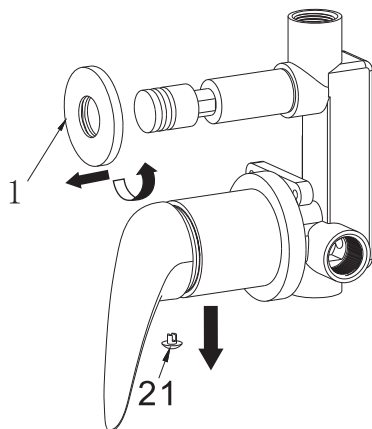
Keep this manual for ordering replacement parts.



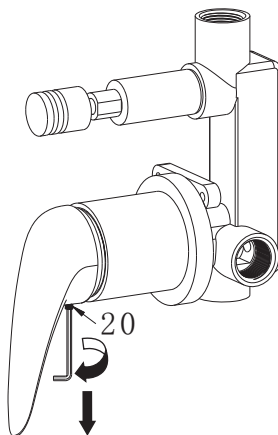
NO	NAME
1.	Flange
2.	Hexagon nut
3.	Gasket
4.	Washer
5.	O ring
6.	Diverter valve rod
7.	O ring
8.	O ring
9.	O ring
10.	Cartridge switch
11.	Flange
12.	T type connector
13.	O ring
14.	O ring
15.	Flange
16.	Faucet body
17.	Cartridge
18.	Cartridge holder
19.	Handle
20.	M6 screw
21.	Accessory

Faucet Installation Procedures

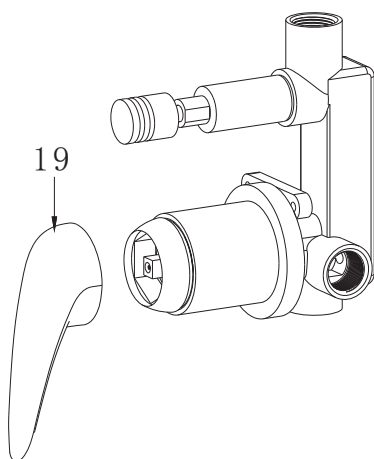
Step ①



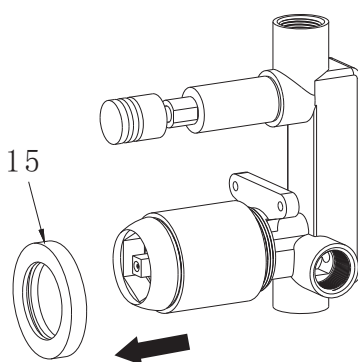
Step ②



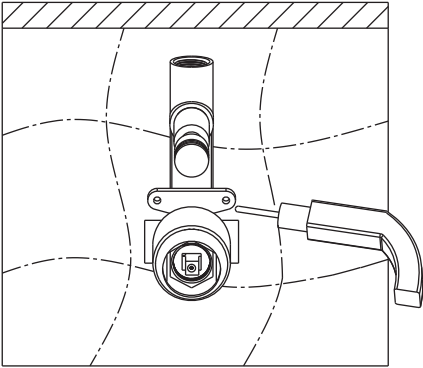
Step ③



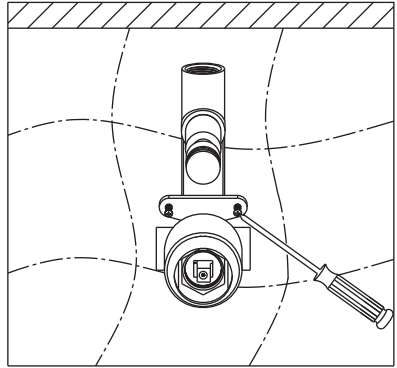
Step ④



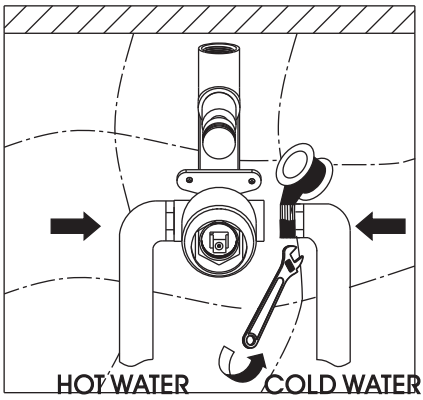
Step ⑤



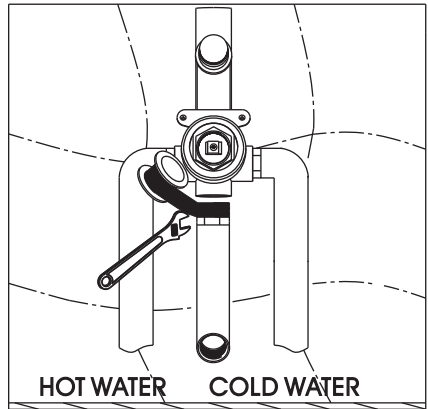
Step ⑥



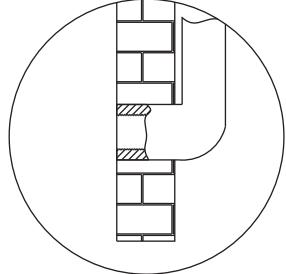
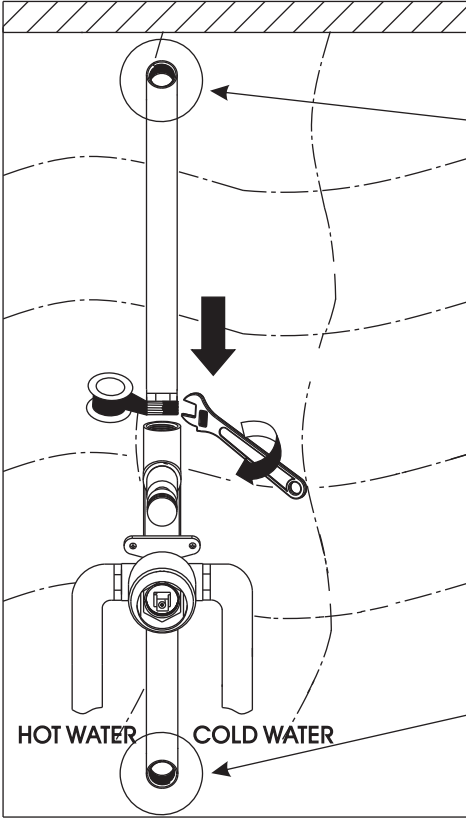
Step ⑦



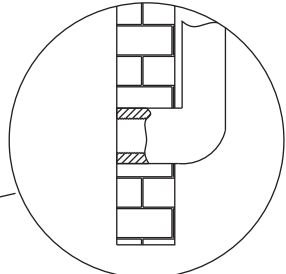
Step ⑧



Step ⑨

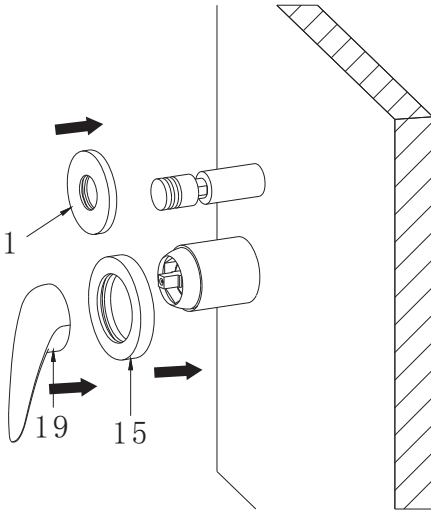


Female screw thread

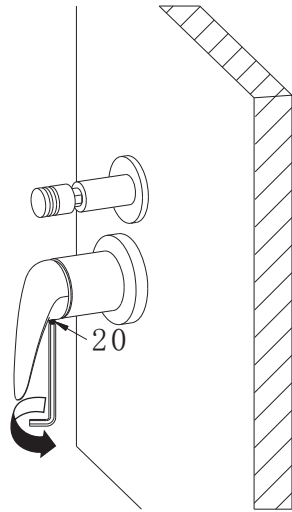


Female screw thread

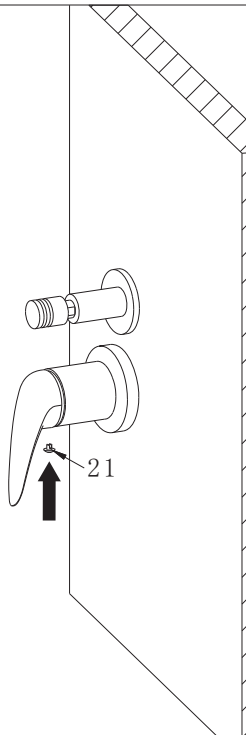
Step ⑩



Step ⑪



Step ⑫



Step ⑬

